



# Field Mounted Box Tray

Installation Instructions

## Tools Needed

- Drill
- 1/4" Drill Bit
- Phillips Head Screw Driver
- Level
- Tape Measure
- Pencil
- Safety Gloves
- Safety Goggles

## Hardware Needed

- Size 8 Screws
- Drywall Anchors
- Supplied Wall / L-Brackets (2 brackets supplied for every 2' of board)
- Supplied 1/2" self-drilling screws (1 per L-Bracket)

## Preparing Your L-Brackets

1. Unbox the product carefully and discard packing materials
2. Locate the provided hardware in the box

## Installation

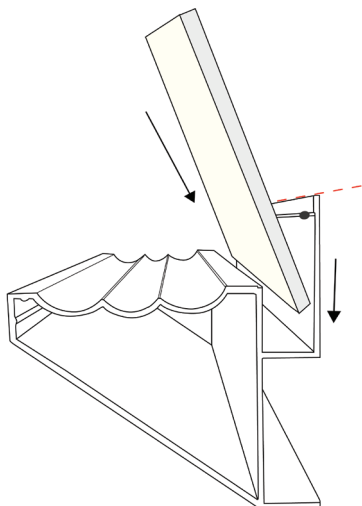
### Tray Instructions

1. Determine where you would like the top of your board to be.
2. Measure the height of the board and subtract 1 7/8" from that height and draw a line.
3. Line up the top of the chalk tray with the line.
4. Drill pilot holes and drill the tray into the wall.

### L-Bracket Instructions

1. Measure from floor to the bottom edge of board. Mark with pencil line the corner location. Measure up from bottom edge of board 1 1/4" and draw line as shown. Locate stud near each end of board and drill pilot holes along line using 1/8" drill bit.
2. Install wall anchors (not supplied) into sheet rock or masonry wall.
3. Install 1 supplied L-bracket, for every two feet of the board, to the wall.
4. Set your board on the installed bottom row of L-brackets. Using a pencil, draw line along top edge of board.
5. Lift and remove board from the L-brackets. Measure down from your drawn line 1" and draw a line as shown in fig. B.
6. Secure top L-brackets to the wall by repeating step 3.
7. Set board on the bottom L-brackets. Secure board to bottom and top brackets using supplied 1/2" self-drilling screws as shown.
8. Ensure the L-Brackets are secure to the board and wall. (Fig. B)

(Fig. A)



(Fig. B)

