



Field Mounted Blade Tray

Installation Instructions

Tools Needed

- Drill
- 1/4" Drill Bit
- Phillips Head Screw Driver
- Level
- Tape Measure
- Pencil
- Safety Gloves
- Safety Goggles

Hardware Needed

- Size 8 Screws
- Drywall Anchors
- Supplied Wall / L-Brackets (2 brackets supplied for every 2' of board)
- Supplied 1/2" self-drilling screws (1 per L-Bracket)

Preparing Your L-Brackets

1. Unbox the product carefully and discard packing materials
2. Locate the provided hardware in the box

Installation

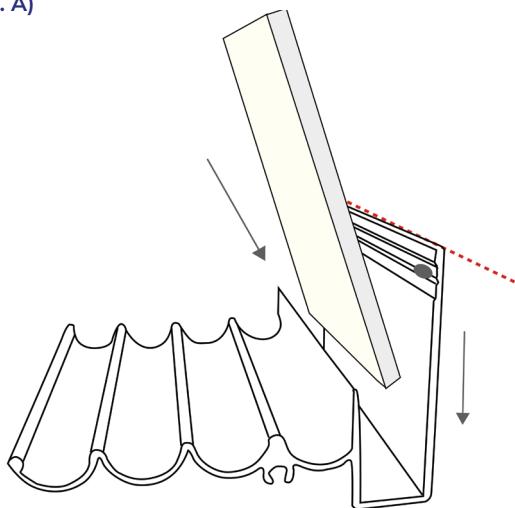
Tray Instructions

1. Take the height of the board and subtract 2" from the bottom and draw a line.
2. Line up the chalk tray with the line you drew.
3. Drill pilot holes and screw the tray into the wall.

L-Bracket Instructions

1. Measure from floor to the bottom edge of board. Mark with pencil line the corner location. Measure up from bottom edge of board 1 1/4" and draw line as shown. Locate stud near each end of board and drill pilot holes along line using 1/8" drill bit.
2. Install wall anchors (not supplied) into sheet rock or masonry wall.
3. Install 1 supplied L-bracket, for every two feet of the board, to the wall.
4. Set your board on the installed bottom row of L-brackets. Using a pencil, draw line along top edge of board.
5. Lift and remove board from the L-brackets. Measure down from your drawn line 1" and draw a line as shown in fig. B.
6. Secure top L-brackets to the wall by repeating step 3.
7. Set board on the bottom L-brackets. Secure board to bottom and top brackets using supplied 1/2" self-drilling screws as shown.
8. Ensure the L-Brackets are secure to the board and wall. (Fig. B)

(Fig. A)



(Fig. B)

